

WIRING CODE

White - Ground
 Yellow - LH Flashing & Turn Signal
 Green - RH Flashing & Turn Signal
 Brown - Tail Lamp

FIGURE 1
"WIDE BODY" REAR UNLOAD POWER BOX
LIGHTING ASSEMBLY (Wagon and Chassis Mount)

ITEM	PART NO.	DESCRIPTION
1.	S308	Rubber Light Mount
2.	S309	Amber Light
3.	S310	Red Light
4.	PB187	Light Harness
5.	PB109	18' Longitudinal Cord
	PB110	20' Longitudinal Cord
	PB158	22' Longitudinal Cord
6.	PB111	Taillight Brackets
7.	S317	Optional Tractor Cord
*	PB112	18' Complete Light Assembly Less Optional Tractor Cord
*	PB188	20' Complete Light Assembly Less Optional Tractor Cord
*	PB189	22' Complete Light Assembly Less Optional Tractor Cord

NOTE: * (Means Not Shown)

FIGURE 2

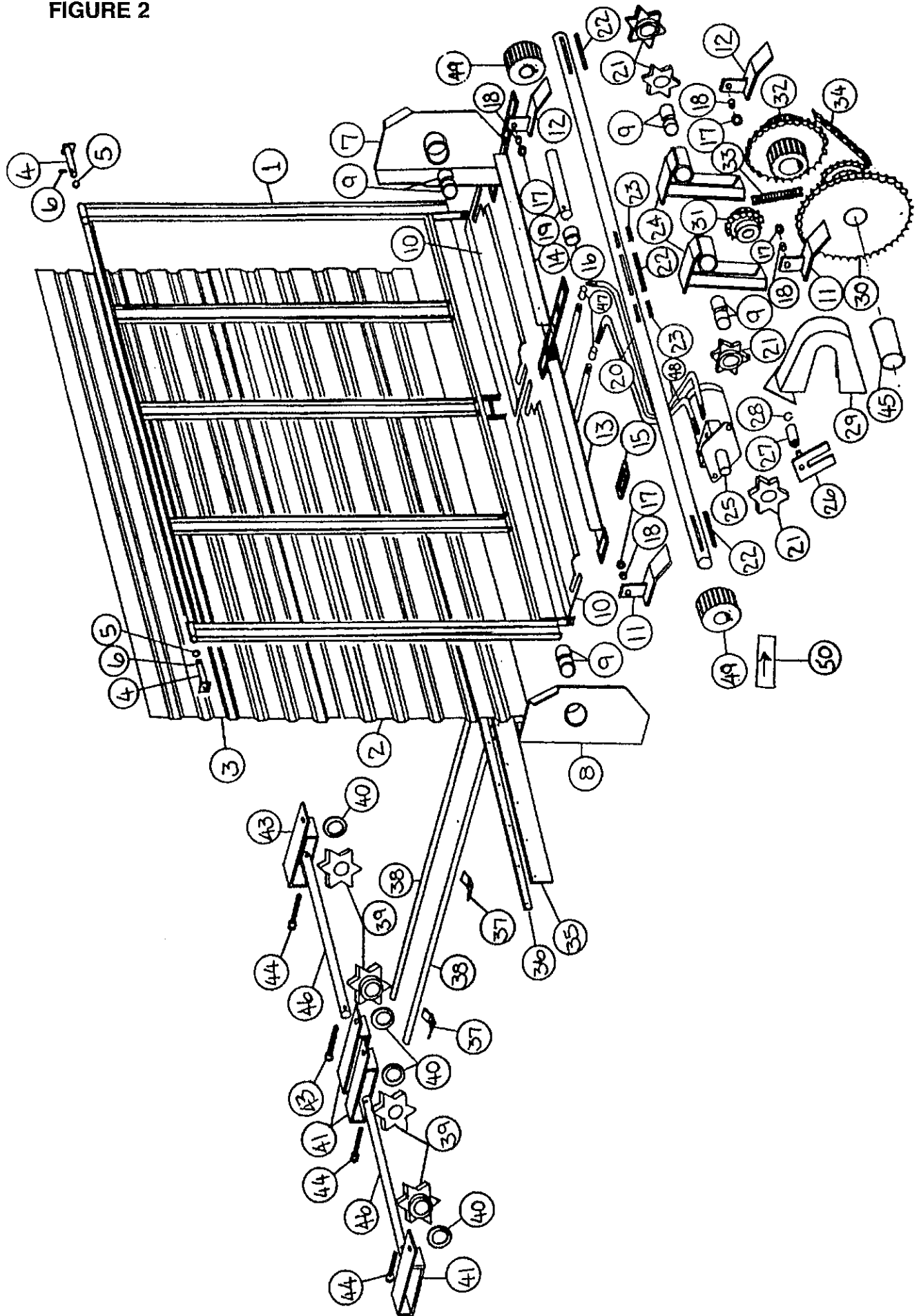
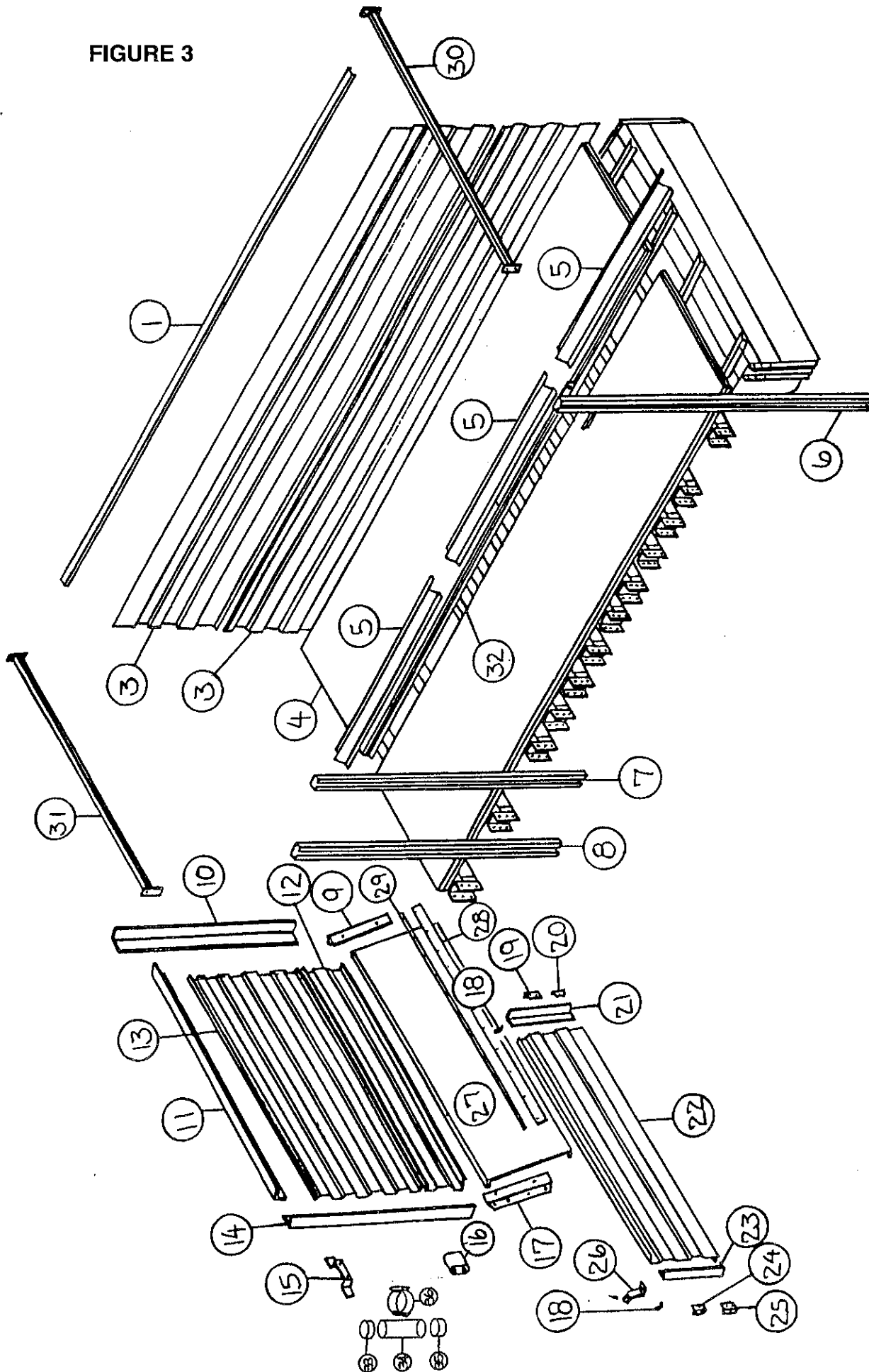


FIGURE 2
REAR DOOR - APRON - DRIVE AND IDLER ASSEMBLY

ITEM	PART NO.	DESCRIPTION	ITEM	PART NO.	DESCRIPTION
1.	PB160	Back Door Frame Work	23.	PB87	Key 3/8" Square x 2"
2.	PB161	Back Door Bottom Steel	24.	PB183	Center Bearing Bracket
3.	PB161	Back Door Top Steel	25.	16SV150	Hydraulic Motor
4.	PB129	Hinge Pin	26.	L10R35	Chain Tightener Bracket (2)
5.	PB130	Collar	27.	23N238	Roller Chain Tightener (2)
6.	3G22	Expansion Pin 5/16" x 1-3/4"	28.	10R32	Snap Ring (2)
7.	PB163	RH Drive Shaft Mount	29.	PB168	Center Drive Shield
8.	PB164	LH Drive Shaft Mount	30.	PB169	Idler Sprocket 11T-70T
9.	S50	Drive Shaft Bushing	31.	PB170	Motor Sprocket 13T
10.	PB74	Drive Shaft Panel	32.	PB171	Drive Sprocket
11.	PB58	Latch Bracket LH	33.	PB172	#60 Chain 92 Pitch
12.	PB57	Latch Bracket RH	34.	PB195	#80 Chain (Heavy) 56 Pitch
13.	PB177	667XH Pintle Slat W/Att. Link	35.	PB154	Rubber Seal
*	S54	T-Rod Slat W/Att. Link	36.	PB155	Seal Strap
14.	PB165	667XH Complete Pintle Apron 22'	37.	23N67	Hose Bracket
*	PB178	667XH Complete Pintle Apron 20'	38.	PB173	Hydraulic Pipe 3/4"
*	PB179	T-Rod Complete Apron 20'	39.	S60	Idler Sprocket
*	PB180	667XH Complete Pintle Apron 18'	40.	S61	Idler Shaft Spacer
*	S59	T-Rod Complete Apron 18'	41.	S65	Idler Bracket
15.	PB181	667XH Pintle Connector Link	43.	S62	RH Idler Bracket
*	PB182	667XH Pintle Att. Link LH or RH	44.	A7	Idler Bolt
*	S56	T-Rod Link	45.	PB184	Bushing 1-1/4"ID x 1-1/2"OD x 2-1/4"
16.	PB176	Idler Shaft Spacer	46.	S63	Idler Shaft
17.	A34	Latch Washer	47.	PB174	Pipe Coupler 1/2" to 3/4"
18.	PB61	Latch Pivot	48.	16SV144	Hydraulic Hose 1/2" x 41"
19.	PB166	Idler Shaft	49.	PB175	Latch Sprocket
20.	PB167	Drive Shaft	50.	PB185	Check Valve - 3/4" (Chassis & Running Gear Models Only)
21.	S37	Apron Drive Shaft Sprocket			
22.	PB133	Key 3/8" Square x 4-3/8"			

NOTE: * (Means Not Shown)

FIGURE 3



**FIGURE 3
BOX ASSEMBLY**

ITEM	PART NO.	DESCRIPTION
1.	PB142	Top Side Channel 22'
*	PB143	Top Side Channel 20'
*	PB194	Top Side Channel 18'
3.	PB144	Side Steel 181-1/2" (4)-22'
*	PB144A	Side Steel 183" (4)-22'
*	S299PB	Side Steel 238-1/2" (4)-20'
*	S150PB	Side Steel 214-1/2" (4)-18'
4.	PB145	Poly Bonded Floor (2)-22'
*	PB145A	Poly Bonded Floor (2)-20'
*	PB145B	Poly Bonded Floor (2)-18'
5.	PB146	Center Floor Ridge
6.	PB147	LH Back Stake
*	PB148	RH Back Stake
7.	ST49	Side Stake
8.	ST50	LH Front Stake
*	ST51	RH Front Stake
9.	S186	Inside Shelf Angle RH
10.	S190	Front Side Piece RH
11.	PB149	Top Door Angle
12.	PB150	Front Door Bottom Steel
13.	PB151	Front Door Top Steel
14.	S189	Front Side Piece LH
15.	PB29	Hose Holder •
16.	JB105	Hose Coupling Holder •
17.	S185	Inside Shelf Angle LH
18.	S192	Handle Nut
19.	S193	RH Hinge Top Piece •
20.	S194	RH Hinge Bottom Piece •
21.	S195	RH Side Piece
22.	PB152	Tailgate Section Steel
23.	S196	LH Side Piece
24.	S199	LH Hinge Top Piece •
25.	S198	LH Hinge Bottom Piece •
26.	S191	Brace
27.	PB153	Slant Panel
28.	PB154	Rubber Seal
29.	PB155	Seal Strap
30.	PB156	Rear Stringer Spacer
31.	PB157	Front Stringer Spacer
32.	PB159	Steel Floor Support
33.	S414	Cap
34.	S415	Manual Holder Tube
35.	S418	Cap W/Hole
36.	S426	Manual Hanger Clamp

NOTE: * (Means Not Shown)

• (Indicates Use on Chassis or Running Gear Models Only)

FIGURE 4

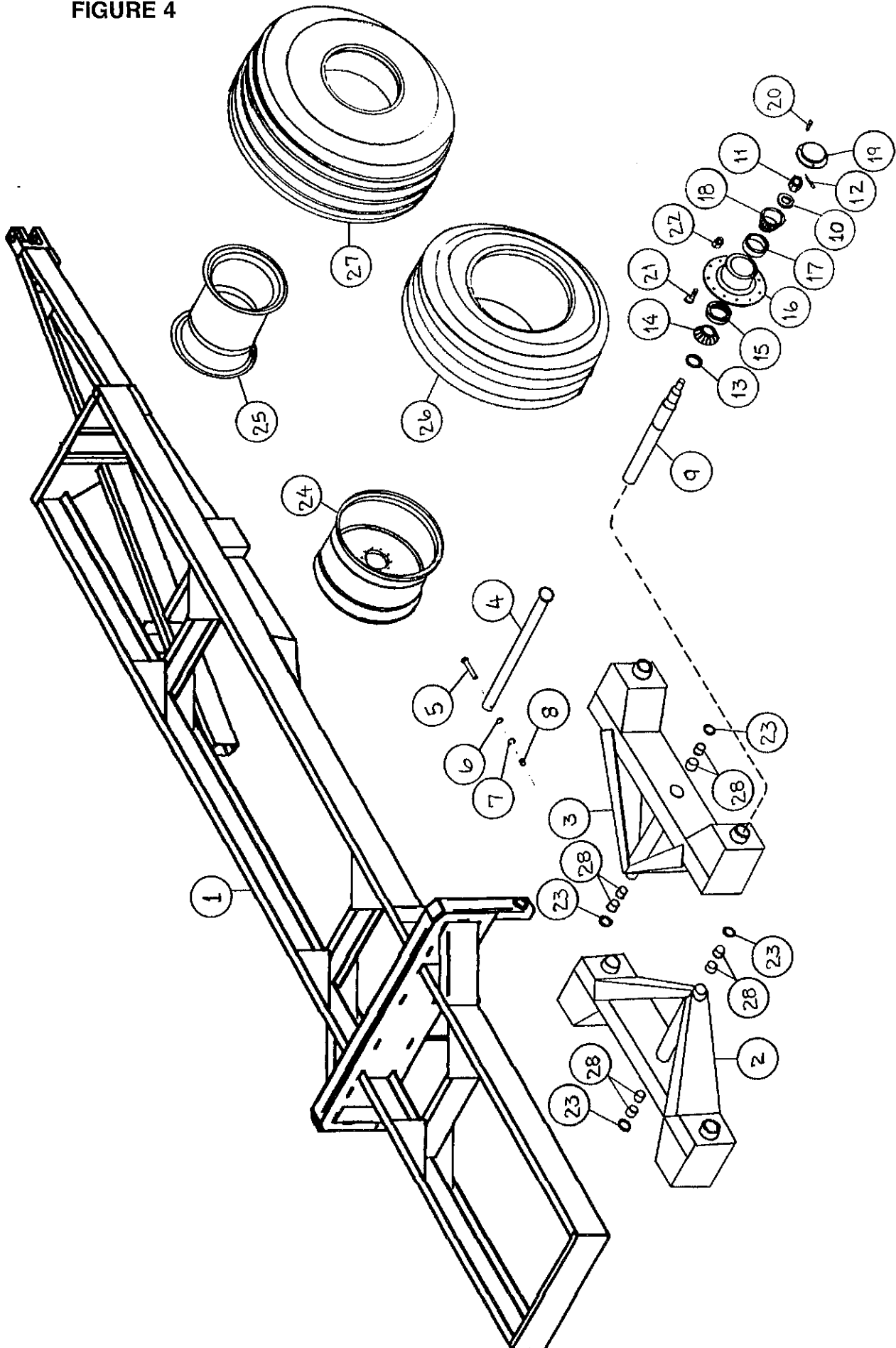
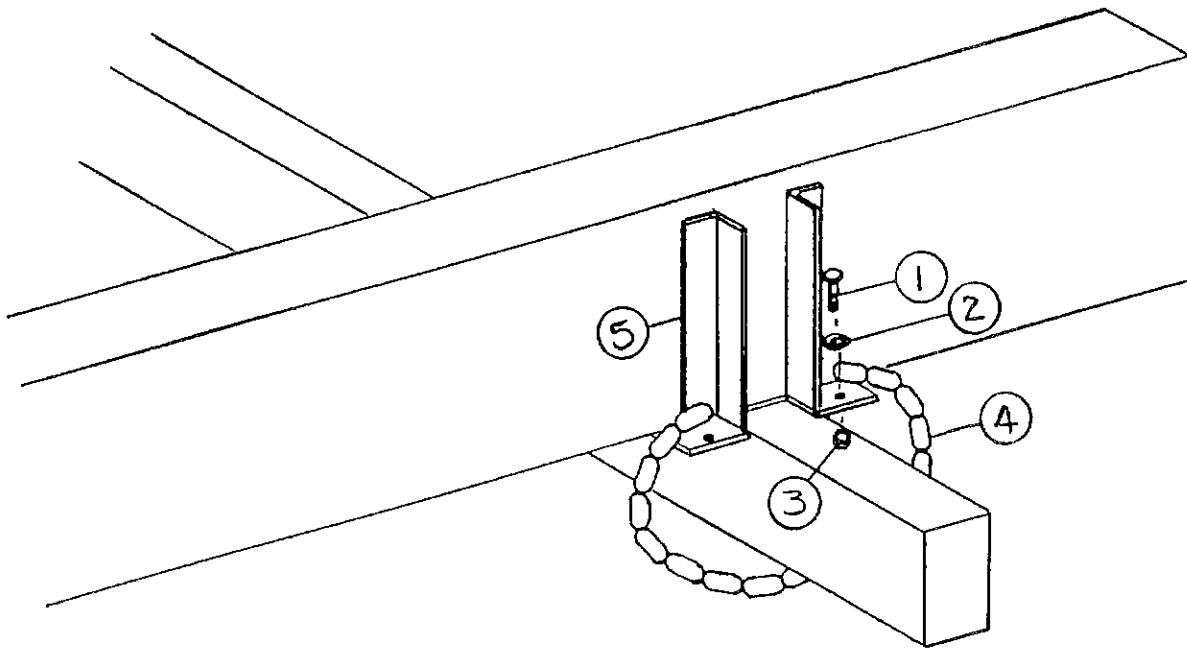


FIGURE 4
CHASSIS MOUNT FRAME

ITEM	PART NO.	DESCRIPTION
1.	FBC1	Main Frame
2.	50N151	LH Tandem Beam
3.	50N152	RH Tandem Beam
4.	50N153	Tandem Pin
5.	RG174	Bolt 5/8" x 5" GR.5
6.	RG8	5/8" Flat Washer
7.	T69	5/8" Lock Washer
8.	T68	5/8" Nut
9.	60N1	Spindle
10.	60N2	Spindle Washer
11.	60N3	Spindle Nut
12.	60N4	Cotter Pin
13.	60N5	Seal
14.	60N7	Inner Bearing
15.	60N6	Inner Race
16.	60N8	Hub
17.	60N10	Outer Race
18.	60N9	Outer Bearing
19.	60N11	Hub Cap
20.	60N12	Hub Cap Bolt
21.	60N13	Stud
22.	60N14	Stud Nut
23.	RG59	Spacer
24.	60N15	Wheel (22.5 x 13.5, 10 Bolt)
25.	60N16	Wheel (16.1 x 18, 10 Bolt)
26.	16SV88	Tire (425 x 22.5, Truck)
27.	50N7	Tire (21.51 x 16.1, Flotation)
28.	50N8	Tandem Pin Bushing



**FIGURE 5
TIE DOWN KIT - RUNNING GEAR MOUNT**

ITEM	PART NO.	DESCRIPTION
1.	12V45	1/2" x 1-1/2" GR.5 Bolt
2.	K68	1/2" Flat Washer
3.	R11	1/2" Top Lock Nut GR.5
4.	S322	1/4" Chain 30-1/4" Long
5.	S323	Tie Down Bracket
6.	T9B	Tie Down Kit - Complete